

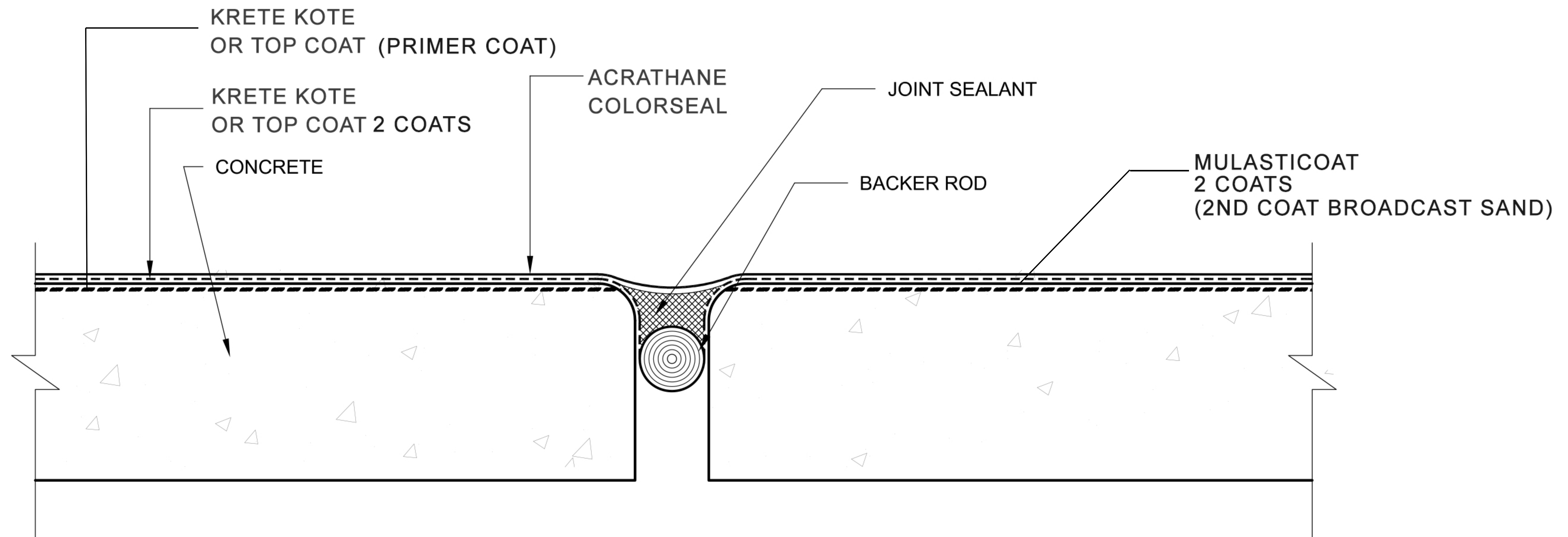
MULTICOAT CONCRETE EXPANSION JOINT

NOT TO SCALE

NOTES:

- APPLY POLYURETHANE CAULKING ON ALL FLASHING SEAMS AND OVERLAPS. STANDARD OVERLAP IS BOTTOM TO TOP WITH A 4" OVERLAP.
- 2500 PSI MINIMUM FOR CONCRETE SUBSTRATES
- $\frac{5}{8}$ " EXTERIOR GRADE MINIMUM FOR PLYWOOD SUBSTRATE
- $\frac{1}{4}$ " MINIMUM SLOPE REQUIRED ON ALL DECKS
- REFER TO LOCAL BUILDING CODES & STANDARDS
- APPLY "VAPOR SHIELD" BEFORE PRIMER COAT IF SUBSTRATE IS SUBJECT TO HYDROSTATIC, PRESSURE, OR POOR DENSITY.

* NOTE: For installation instructions please refer to the system specification sheets posted on our website. .



23331 ANTONIO PARKWAY
RANCHO SANTA MARGARITA CA 92679



WWW.MULTICOAT.COM
(877)-685-8426